

- LEGEND**
- PROJECT BOUNDARY
 - RESERVOIR STORAGE STAGE
 - TUNNEL (WITH SHAFT)
 - SECTION LINE, ESTABLISHED
 - SECTION LINE, PROTRACTED
 - SUBDIVISION LINE, GOVERNMENT LAND SURVEY
 - ◆ SECTION CORNER, FOUND
 - ◇ SECTION CORNER, RECORD
 - 1/4 CORNER, FOUND
 - 1/4 CORNER, RECORD
 - COUNTY LINE
 - U.S. FOREST BOUNDARY
 - PROJECT BOUNDARY CORNER
 - (OA) OVERALL DIMENSION
 - RP REFERENCE POINT
 - V PUBLIC LAND
 - ROAD
 - BRIDGE
 - RIVER OR PERENNIAL STREAM
 - INTERMITTANT STREAM
 - SPRING
 - POND OR LAKE, WATER LEVEL JULY 1961
 - TREES OR BRUSH
 - STREAM FLOW GAGING STATION
 - WATER SURFACE GAGING STATION
 - CAMPGROUND
 - BUILDING
 - GOVERNMENT BENCH MARK
 - BENCH MARK RELOCATION
 - PHOTOGRAMMETRIC PRINCIPAL POINT
 - TRIANGULATION STATION
 - FIELD ESTABLISHED ELEVATION
 - PHOTOGRAMMETRIC ELEVATION
 - M R O MINERAL RIGHTS ONLY
 - (1) RECORD PER 2 ROS 78

SURVEYOR'S STATEMENT

I CERTIFY THAT I SUPERVISED THE SURVEY OF THE PROJECT LANDS; THAT THE PROJECT BOUNDARY DELINEATION FOR THE MIDDLE FORK AMERICAN RIVER PROJECT AS SHOWN ON THIS EXHIBIT 'G' IS DEVELOPED WITHIN REASONABLE ACCURACIES AS REQUIRED IN 18CFR4.39 & 18CFR4.41 TO THE GEOGRAPHIC LOCATION. THIS EXHIBIT IS BASED UPON MAPS OF THE EXHIBIT 'K', SHEET 21 OF THE MIDDLE FORK AMERICAN RIVER PROJECT NO.2079 AND BOOK 2 SURVEY'S PAGE 78 OFFICIAL RECORDS OF PLACER COUNTY AND CORRECTLY SHOWN HEREON. SEE CONTROL SCHEME FOR DETAILS OF THE BOUNDARY DELINEATION AND DATA ACQUISITION.

NOTES

SHADED TOPOGRAPHY SHOWN HEREON PER EXHIBIT 'K', SHEET 21; MIDDLE FORK AMERICAN RIVER PROJECT; MIDDLE FORK INTERBAY PROJECT AREA REVISED OCT. 20, 1977

ALL FACILITIES AND FEATURES SHOWN HERE ON ARE PER DATA COLLECTED BY OTHERS

REFERENCE POINT COORDINATES

NAD83 CALIFORNIA STATE PLANE COORDINATE SYSTEM ZONE II (CCS83, ZONE 2); U.S. SURVEY FEET

ANDREGG GEOMATICS

DENNIS G. MEYER, LS 4751
 LICENSE EXPIRES: 9/30/11

DATE _____

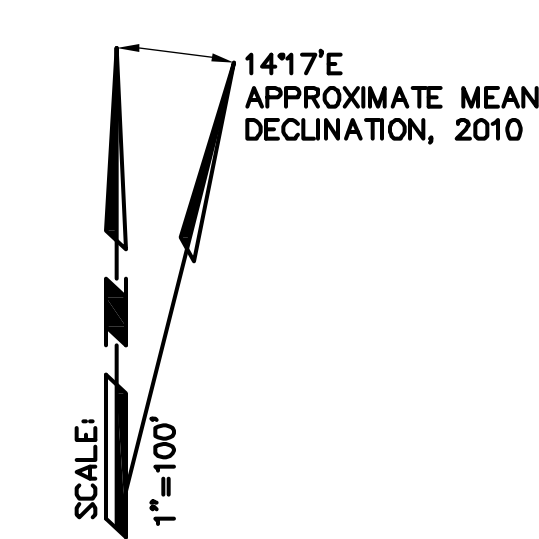


EXHIBIT 'G' PROJECT 2079
MIDDLE FORK AMERICAN RIVER PROJECT
MIDDLE FORK INTERBAY PROJECT AREA
 A PORTION OF SECTIONS 26, 35 & 36, T.14 N., R.12 E., M.D.M.
 PLACER COUNTY, CALIFORNIA
 SCALE: 1"=100' FEBRUARY 11, 2011

ANDREGG GEOMATICS
 www.andregg.com
 800-409-1077

25 100 300
 0 50 200 SHEET 25 OF 33